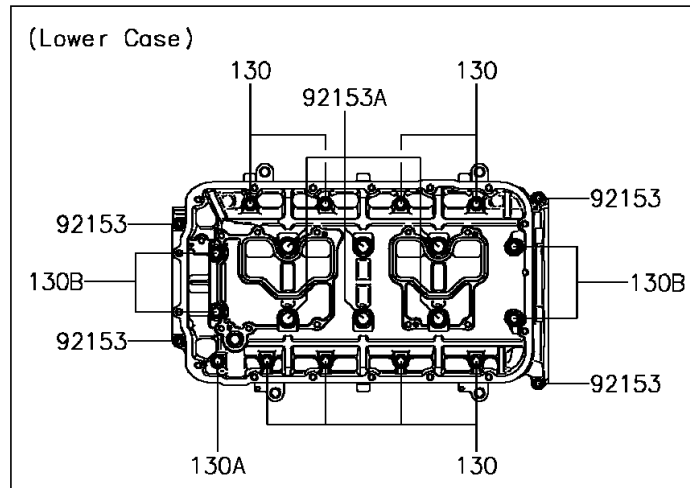
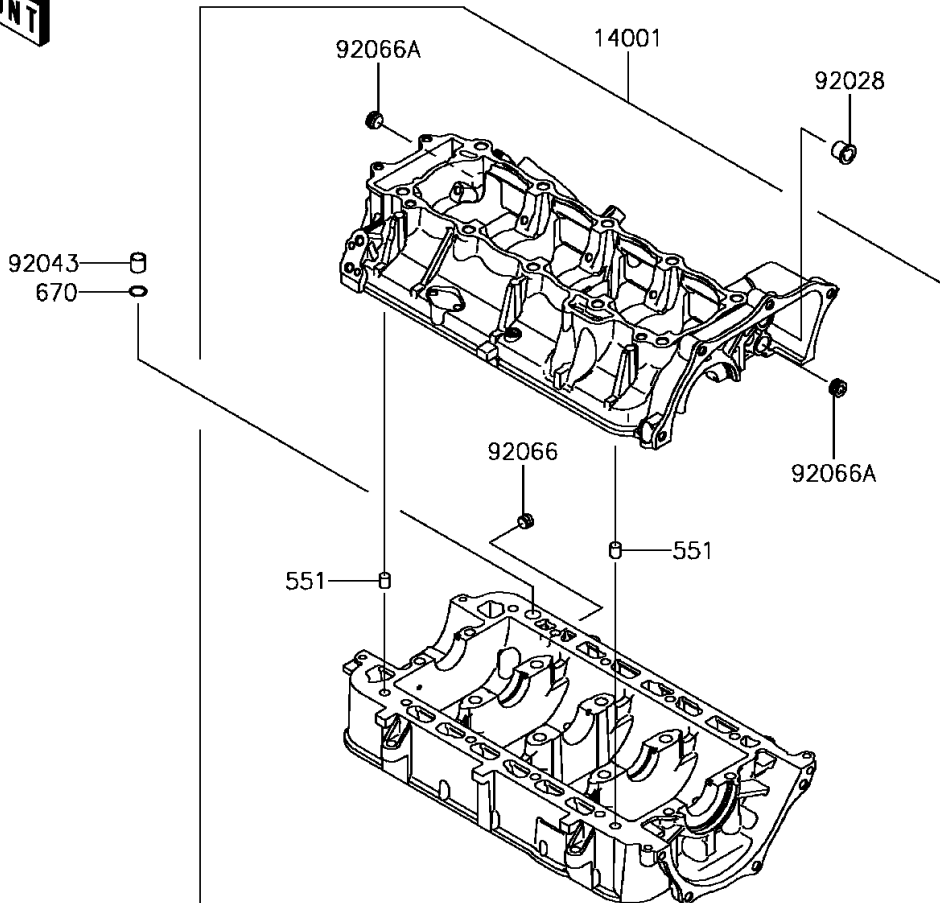


## 2017 Jet Ski® SX-R™ PARTS DIAGRAM

Crankcase

E1411



## 2017 Jet Ski® SX-R™ PARTS LIST

Crankcase

ITEM NAME	PART NUMBER	QUANTITY
BOLT-FLANGED,8X45 (Ref # 130)	130CD0845	1
BOLT-FLANGED,8X55 (Ref # 130A)	130CD0855	1
BOLT-FLANGED,8X85 (Ref # 130B)	130CD0885	1
PIN-DOWEL (Ref # 551)	551R1012	1
O RING,14MM (Ref # 670)	670D2014	1
SET-CRANKCASE (Ref # 14001)	14001-0574	1
BUSHING (Ref # 92028)	92028-3718	1
PIN,11.5X14X14 (Ref # 92043)	92043-1279	1
PLUG (Ref # 92066)	92066-3778	1
PLUG (Ref # 92066A)	92066-3782	1
BOLT,6X30 (Ref # 92153)	92153-3707	1
BOLT,10X85 (Ref # 92153A)	92153-3711	1