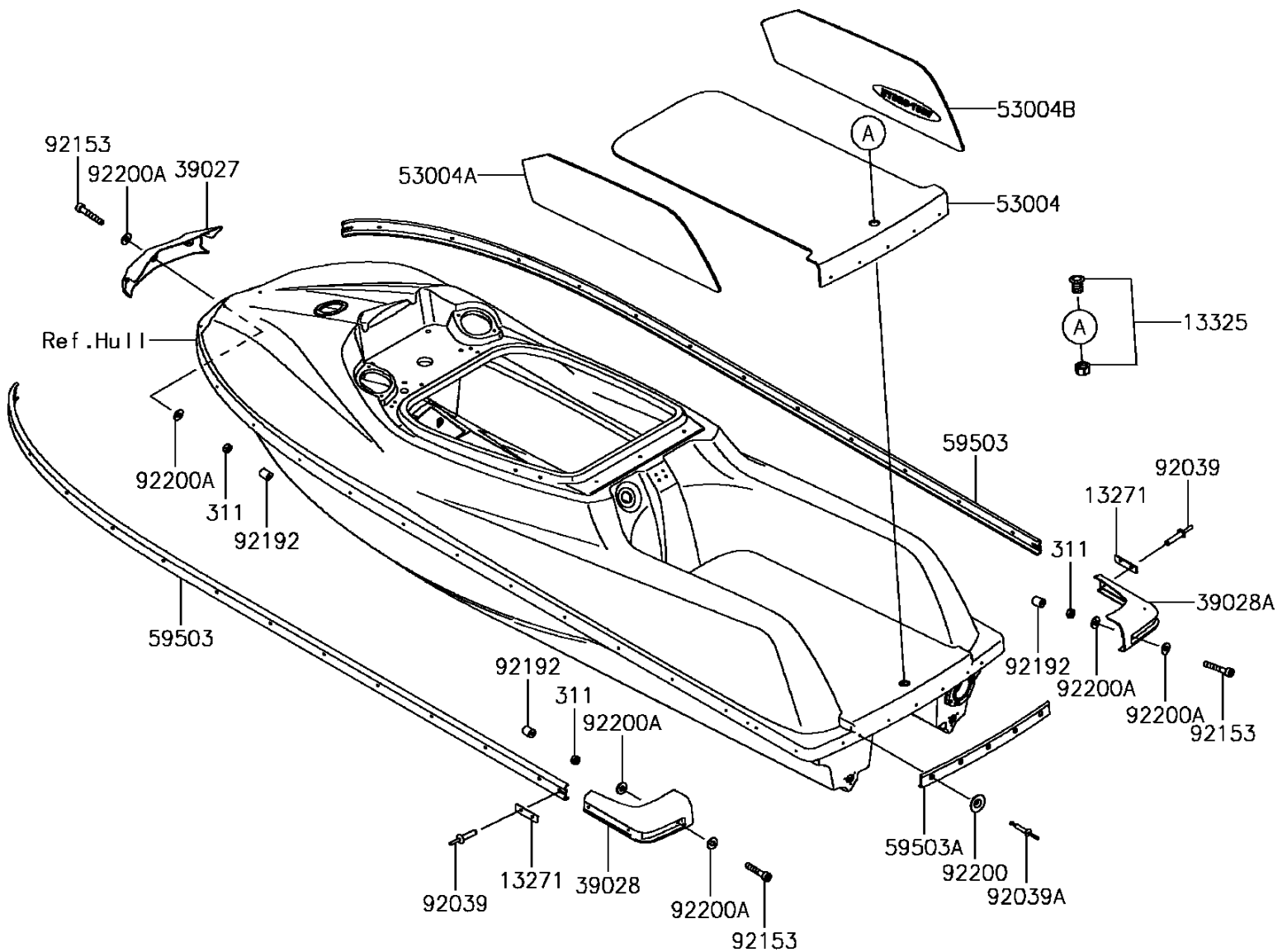


## 2017 Jet Ski® SX-R™ PARTS DIAGRAM

Pads

F3147



## 2017 Jet Ski® SX-R™ PARTS LIST

Pads

ITEM NAME	PART NUMBER	QUANTITY
NUT-HEX,5MM (Ref # 311)	311R0500	1
PLATE (Ref # 13271)	13271-3884	1
BUSHING-ASSY,BLACK (Ref # 13325)	13325-3705	1
BUMPER-FRONT,F.BLACK (Ref # 39027)	39027-0001-6Z	1
BUMPER-REAR,LH,F.BLACK (Ref # 39028)	39028-0001-6Z	1
BUMPER-REAR,RH,F.BLACK (Ref # 39028A)	39028-0002-6Z	1
MAT,CNT (Ref # 53004)	53004-0615	1
MAT,LH (Ref # 53004A)	53004-0617	1
MAT,RH (Ref # 53004B)	53004-0618	1
FENDER-BOAT,F.BLACK (Ref # 59503)	59503-0001-6Z	1
FENDER-BOAT,F.BLACK (Ref # 59503A)	59503-0002-6Z	1
RIVET (Ref # 92039)	92039-3778	1
RIVET (Ref # 92039A)	92039-3779	1
BOLT,SOCKET,5X30 (Ref # 92153)	92153-3742	1
TUBE,3.5X8.5X10 (Ref # 92192)	92192-1829	1
WASHER (Ref # 92200)	92200-3790	1
WASHER,5X12X1 (Ref # 92200A)	92200-3796	1